
Comfort-Cire®

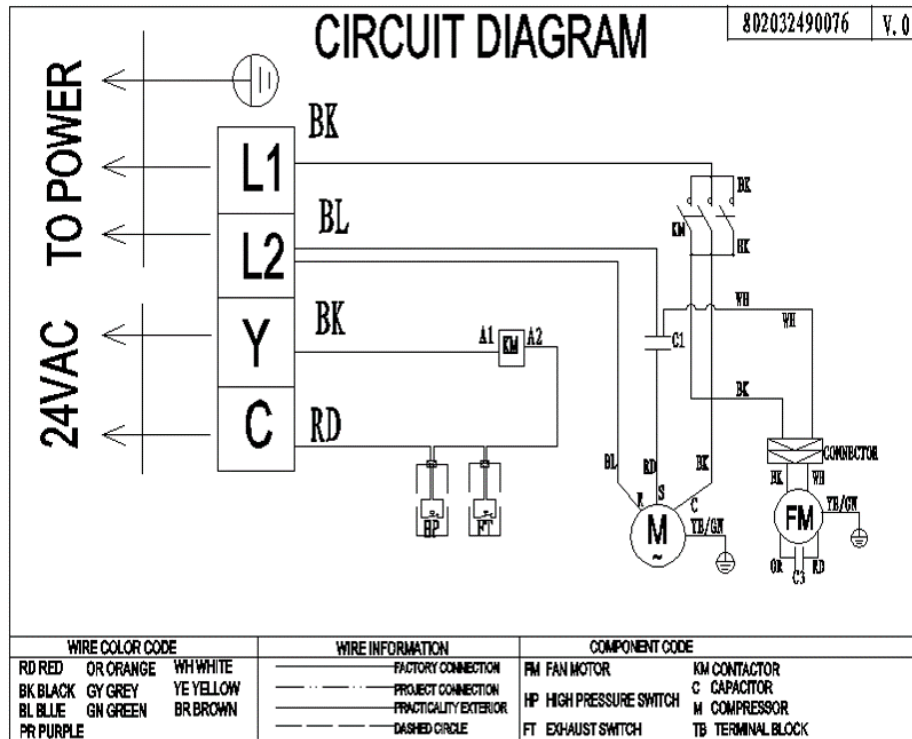
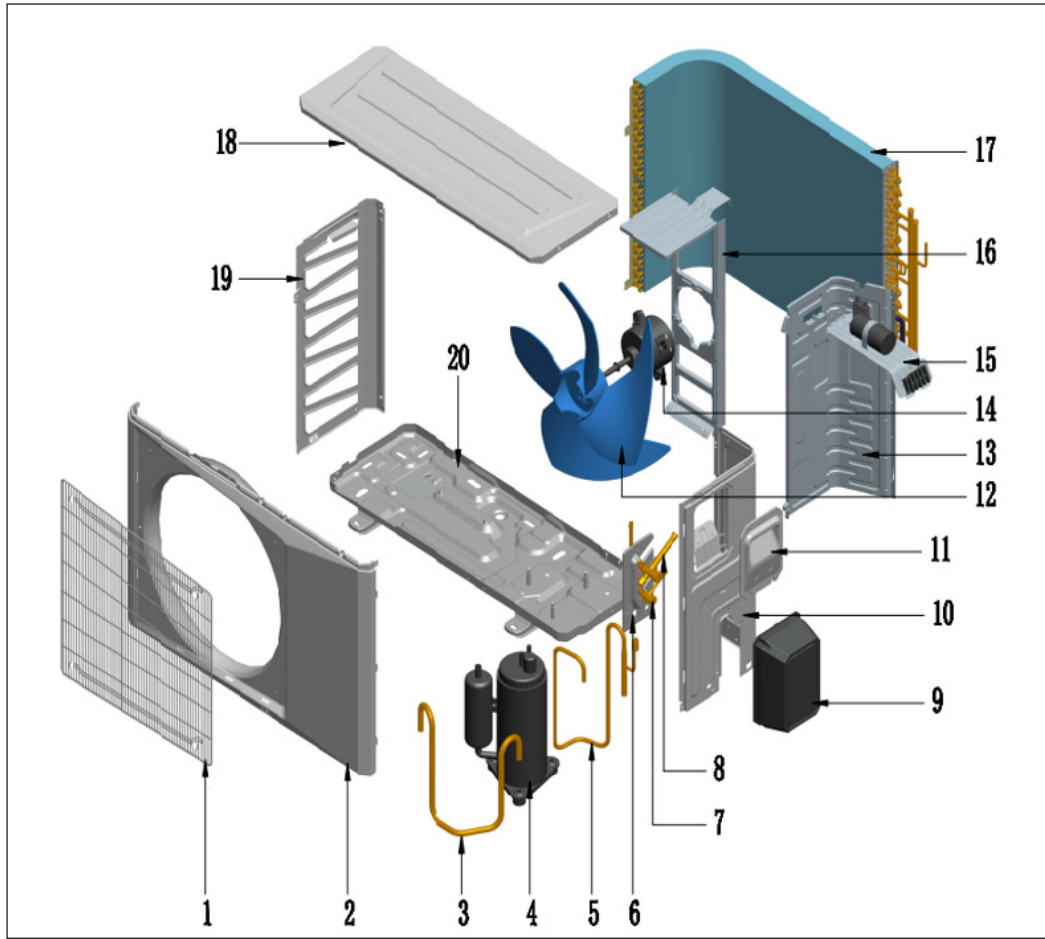
Century®

PARTS LIST

**Horizontal/Side Discharge
Condensing Units**

CMA-1418SG

EXPLODED VIEW



REPLACEMENT PARTS

Location	Part Name	Quantity	Part No.
1	Net cover of air outlet(Mental)	1	802932490001
2	Front panel	1	801259000022
3	Air-return pipe of compressor	1	801632490190
4	Compressor	1	801401100049
5	Discharge pipe assy	1	801632490187
5.1	Discharge pipe of compressor	1	801632490188
5.2	Transition tube	1	801632090012
5.3	Pressure Switch	1	802300900041
6	Valve holder	1	801228200171
7	Cut-off valve (DN4)	1	801600200036
8	Cut-off valve (DN10)	1	801600200010
9	Cover of cut-off valve	1	801137000005
10	Right rear side panel part	1	801232490070
11	Handle	1	801232490069
12	Axial-flow fan blade	1	801100300042
13	Separating board	1	801233090029
14	Outdoor fan motor	1	802400400779
15	Electric control box components	1	803330000004
15.1	Electrical installation board	1	801232490062
15.2	Terminal	1	802401800088
15.3	Compressor capacitor	1	802401000034
15.4	Fan motor capacitor	1	802401100066
15.5	Capacitor clip	1	801232000003
15.6	AC contactor	1	802300100250
16	Holder of fan motor	1	801233090031
17	Condenser parts	1	801532490038
18	Top cover parts	1	801232490068
19	Left side panel	1	801259000019
20	Chassis parts	1	801232490060



Due to ongoing product improvements, specifications and dimensions are subject to change and correction without notice or incurring obligations. Determining the application and suitability for use of any product is the responsibility of the installer. Additionally, the installer is responsible for verifying dimensional data on the actual product prior to beginning any installation preparations.

Incentive and rebate programs have precise requirements as to product performance and certification. All products meet applicable regulations in effect on date of manufacture; however, certifications are not necessarily granted for the life of a product. Therefore, it is the responsibility of the applicant to determine whether a specific model qualifies for these incentive/rebate programs.

Comfort-Aire® **Century**®

1900 Wellworth Ave., Jackson, MI 49203 • Ph. 517-787-2100 • www.marsdelivers.com

